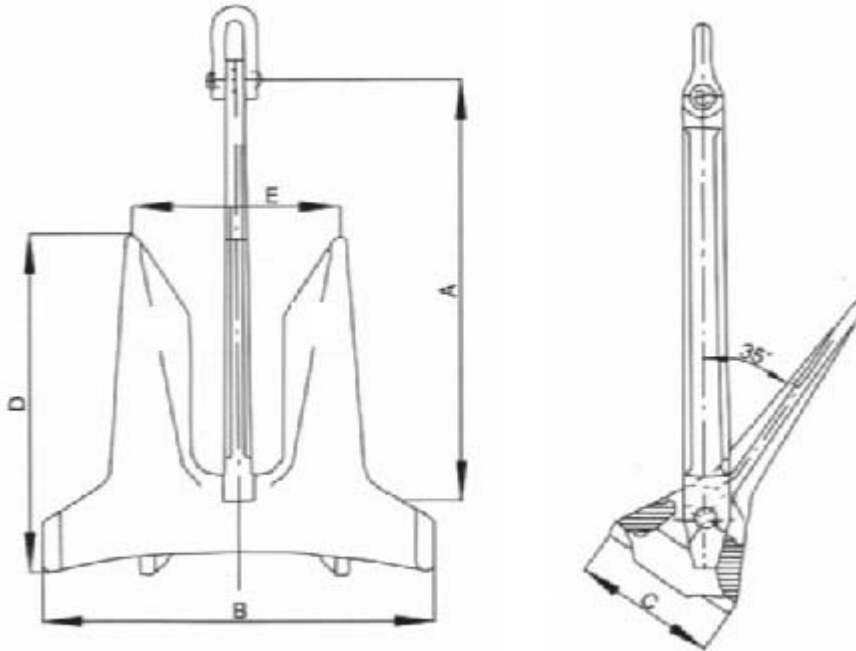


## HIGH HOLDING POWER ANCHOR TYPE "AC-14"

Approx. Weights and Dimensions



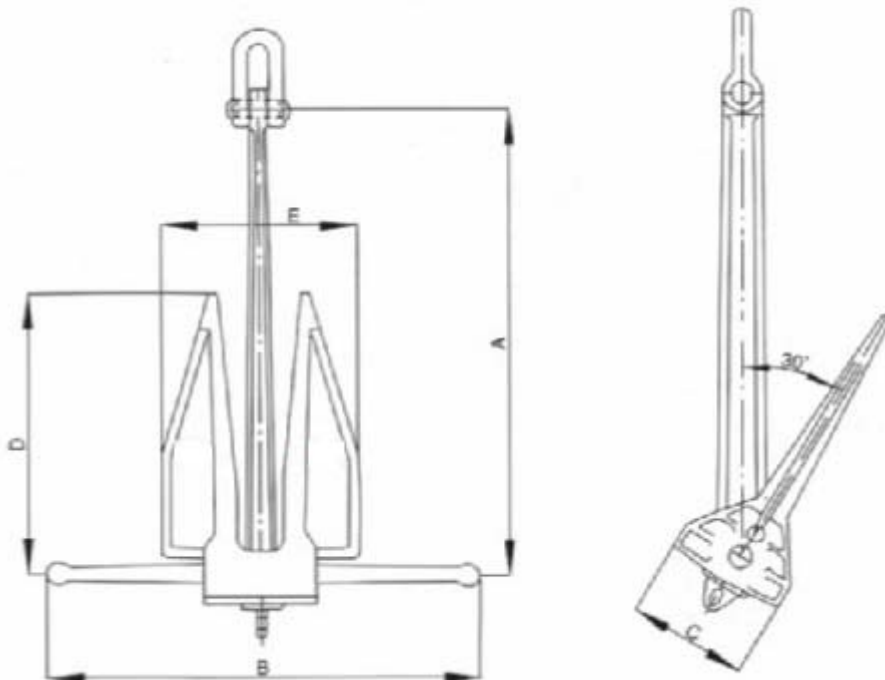
Weight kgs	Dimensions mm				
	A	B	C	D	E
20	450	412	134	382	220
112	930	852	278	786	456
180	1070	980	310	895	520
225	1140	1045	340	965	560
270	1250	1115	360	1025	600
300	1250	1140	372	1053	610
341	1290	1180	385	1090	630
487	1430	1310	425	1210	700
500	1295	1184	386	1052	633
525	1470	1345	440	1242	720
590	1515	1385	450	1280	740
675	1575	1445	470	1335	775
750	1483	1356	442	1204	725
765	1483	1356	448	1204	725
900	1720	1575	515	1455	840
970	1720	1575	515	1455	840
1080	1810	1660	540	1530	885
1180	1855	1700	553	1565	910
1305	1855	1700	565	1565	910
1440	1940	1778	533	1563	952
1575	2015	1845	600	1705	985
1575	2015	1701	600	1705	985
1710	2015	1890	615	1745	1010
1845	2095	1920	630	1775	1025
1980	2155	1970	645	1820	1055
2100	2100	1920	630	1710	1030
2295	2300	1920	630	1860	1020
2475	2300	2107	687	1945	1127
2655	2300	2107	687	1945	1127
2794	2388	2185	711	2016	1168
3550	2560	2345	765	2165	1255
3670	2560	2345	765	2165	1255
3940	2586	2366	771	2185	1266

4500	2685	2460	800	2270	1315
4840	2775	2535	830	2260	1360
5175	2860	2615	850	2415	1400
5510	2925	2615	850	2415	1400
6525	3060	2800	912	2580	1498
8775	3340	3060	995	2820	1635
9945	3500	3210	1050	2858	1720
10575	3500	3210	1050	2975	1720
10900	3600	3210	1052	2858	1720
12075	3660	3350	1090	3095	1795
14000	3800	3400	1260	2915	1910
14000	3880	3480	1135	3230	1670
15000	3600	3400	1270	2915	1910
15000	3880	3400	1270	2915	1910
15000	3950	3470	1270	3265	1900
15725	3950	3470	1260	3265	1900
17250	4060	3715	1210	3430	1990
18275	4200	3855	1255	3560	2065
19550	4200	3855	1255	3560	2065
21750	4345	3975	1295	3670	2125
28000	4560	4170	1360	3850	2230
30000	4200	4170	1360	3850	2230

The measurements may vary between different factories. SEACAT-Schmeding can not be hold responsible for any deviate between this table and delivered equipment.

## HIGH HOLDING POWER ANCHOR TYPE "DANFORTH"

Approx. Weights and Dimensions



Weight

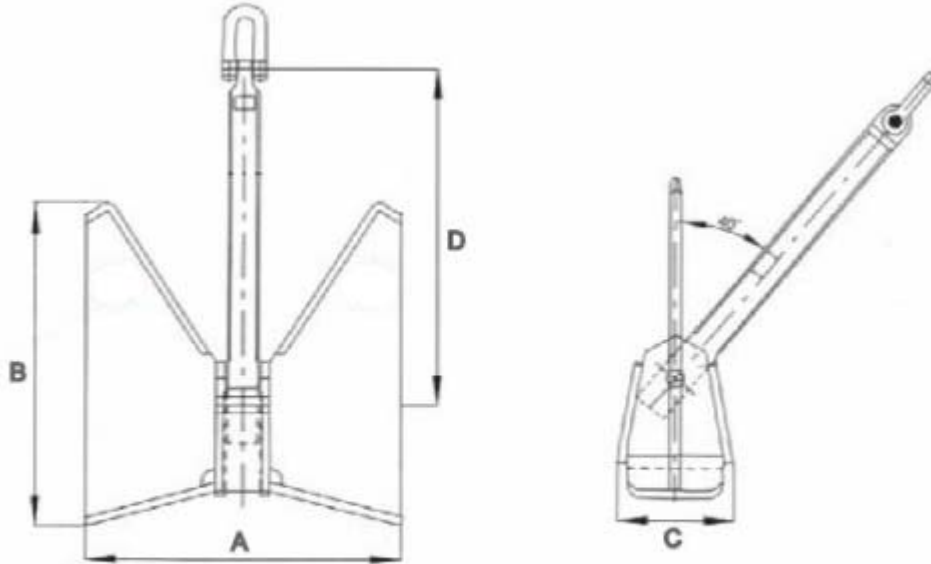
Dimensions mm

kg	A	B	C	D	E
135	1350	1130	275	820	560
225	1600	1340	325	975	665
340	1720	1480	370	1000	720
455	1830	1580	410	1100	760
680	1955	1690	475	1180	815
910	2100	1820	525	1275	900
1135	2260	2140	560	1350	930
1360	2390	2260	595	1440	990
1820	2640	2550	660	1590	1050
2270	2780	2700	710	1650	1170
2730	2960	2810	750	1780	1200
3180	3120	2960	790	1880	1260
3635	3260	3090	825	1960	1320
4080	3380	3210	860	2040	1370
4540	3510	3330	890	2100	1420
5545	3730	3540	945	2240	1510
6350	3920	3720	995	2360	1590
7260	4100	4000	1040	2470	1660
8165	4270	4080	1080	2560	1730
9075	4570	4150	1110	2620	1770
11345	4710	4470	1195	2820	1910
13610	5000	4750	1270	3000	2025

The measurements may vary between different factories. SEACAT-Schmeding can not be hold responsible for any deviate between this table and delivered equipment.

## HIGH HOLDING POWER ANCHOR TYPE "POOL-TW"

Approx. Weights and Dimensions



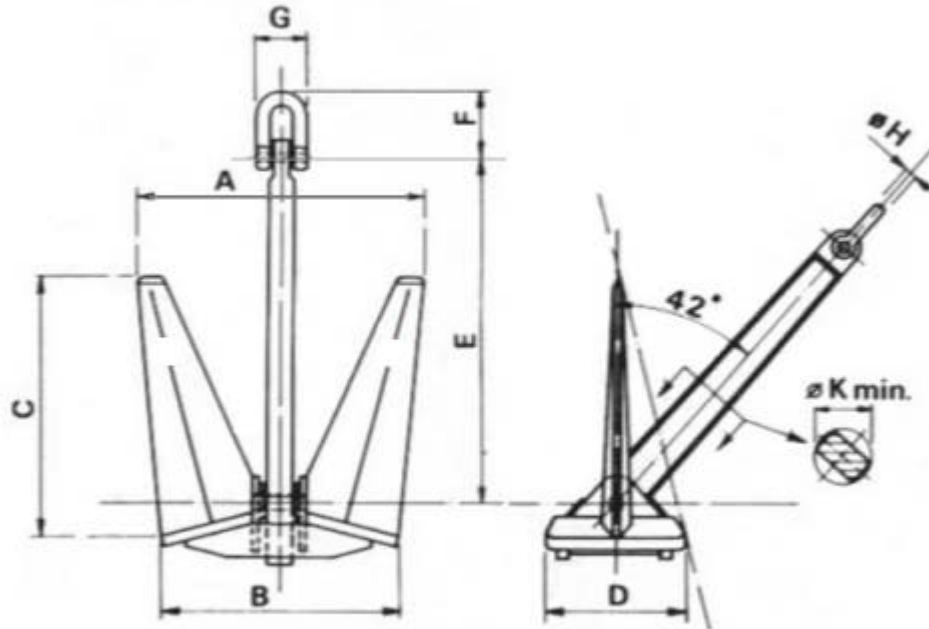
Weight kgs	Dimensions mm			
	A	B	C	D
225	821	865	312	982
270	895	930	335	1080
300	898	936	336	1080
360	980	1024	370	1175
430	1040	1092	393	1260
495	1078	1125	402	1295
585	1149	1201	436	1388
675	1205	1258	454	1456
765	1256	1312	470	1518
855	1306	1360	496	1575
970	1360	1415	513	1642
1080	1410	1471	530	1703
1195	1435	1500	537	1730
1305	1490	1565	558	1814
1440	1554	1620	585	1875
1575	1594	1668	600	1931
1710	1635	1714	614	1985
1845	1684	1758	638	2035
1980	1733	1810	652	2088

2140	1765	1848	664	2138
2295	1802	1891	678	2190
2475	1860	1940	705	2240
2655	1900	1983	716	2298
2835	1945	2031	730	2350
3040	1984	2078	744	2404
3240	2036	2121	768	2456
3670	2110	2214	795	2560
3940	2152	2260	802	2621
4210	2218	2320	838	2680
4500	2264	2371	854	2740
4840	2316	2422	868	2800
5175	2334	2447	876	2829
5515	2412	2524	911	2921
5850	2439	2551	918	2948
6225	2509	2623	940	3033
6975	2623	2722	990	3145
7875	2695	2823	1012	3264
8325	2757	2887	1041	3340
8775	2797	2927	1052	3381
9225	2865	2992	1092	3453
9675	2905	3040	1109	3497
10125	2941	3087	1126	3552
10575	2979	3132	1142	3591
11025	3027	3176	1158	3658
12075	3121	3220	1174	3784
12675	3161	3272	1193	3829
13350	3221	3329	1214	3903
14100	3295	3390	1236	4010
15000	3357	3461	1262	4057
16125	3443	3545	1293	4170

The measurements may vary. SEACAT- Schmeding can not be hold responsible for any deviate between this table and delivered equipment.

## HIGH HOLDING POWER ANCHOR TYPE "POOL-N"

Approx. Weights and Dimensions



Weight kgs	Dimensions mm								
	A	B	C	D	E	F	G	H	K
180	796	676	770	377	942	157	115	32	140
225	858	728	830	406	1016	174	125	36	155
270	911	774	882	432	1079	174	125	36	160
315	960	815	928	455	1136	201	140	40	170
360	1002	852	970	475	1188	201	140	40	180
430	1062	902	1028	503	1258	201	140	40	190
495	1115	948	1079	528	1320	201	140	40	195
585	1180	1002	1141	558	1396	236	175	50	205
675	1236	1050	1196	586	1465	236	175	50	220
765	1290	1096	1248	610	1528	236	175	50	225
855	1338	1138	1295	634	1585	306	225	60	235
970	1395	1185	1349	660	1652	306	225	60	245
1080	1446	1230	1400	685	1714	306	225	60	255
1195	1495	1270	1446	708	1771	306	225	60	265
1305	1541	1309	1474	730	1825	306	225	60	270
1440	1592	1352	1540	754	1886	306	225	60	280
1575	1640	1386	1587	777	1942	361	255	75	285
1710	1685	1433	1631	799	1997	361	255	75	295
1845	1729	1469	1672	819	2048	361	255	75	305

1980	1770	1504	1713	838	2098	361	255	75	315
2140	1816	1543	1758	860	2151	361	255	75	320
2295	1860	1580	1801	880	2202	361	255	75	330
2475	1910	1620	1844	904	2260	400	290	80	335
2655	1954	1664	1888	925	2312	400	290	80	340
2835	1996	1700	1930	945	3264	400	290	80	350
3040	2042	1735	1975	968	2418	400	290	80	355
3240	2086	1773	2018	988	2471	400	290	80	365
3445	2129	1809	2059	1009	2522	400	290	80	370
3670	2174	1847	2104	1030	2575	500	360	90	380
3940	2226	1892	2155	1055	2637	500	360	90	390
4210	2276	1934	2202	1078	2696	500	360	90	400
4500	2328	1978	2252	1103	2757	500	360	90	410
4840	2385	2026	2307	1130	2824	500	360	90	420
5175	2439	2072	2359	1155	2889	550	400	100	430
5515	2491	2116	2409	1180	2950	550	400	100	445
5850	2541	2159	2458	1204	3009	550	400	100	450
6225	2594	2204	2509	1229	3072	550	400	100	455
6525	2635	2239	2549	1248	3121	550	400	100	465
6975	2695	2290	2606	1276	3190	550	400	100	470
7425	2751	2337	2661	1303	3258	660	470	130	485
7875	2805	2384	2713	1329	3323	660	470	130	495
8325	2858	2428	2764	1354	3385	660	470	130	505
8775	2908	2471	2813	1378	3445	660	470	130	510
9225	2958	2512	2860	1401	3502	660	470	130	520
9675	3004	2553	2906	1423	3558	700	500	140	530
10125	3050	2592	2951	1445	3613	700	500	140	535
10575	3095	2630	2994	1466	3666	700	500	140	540
12075	3235	2748	3130	1533	3831	750	540	150	565
13350	3345	2842	3236	1585	3962	800	570	160	
16490	3589	3049	3472	1700	4251	870	625	175	

The measurements may vary. SEACAT- Schmeding can not be hold responsible for any deviate between this table and delivered equipment.